

STRUT-PRO

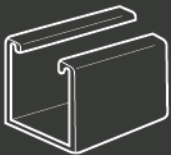
WWW.STRUTAHEAD.CO.ZA - 031 304 8363



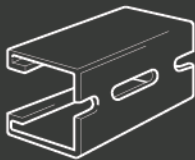
SOLAR INSTALLATION PRODUCTS

STRUT CHANNELS

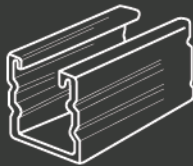
(1.2mm, 1.6mm, 2.0mm, 2.5mm)



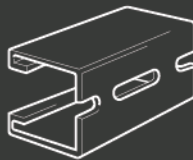
P1000



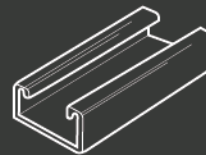
P1000T



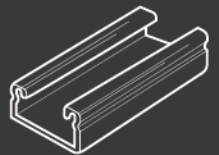
P2000



P2000T



P3300



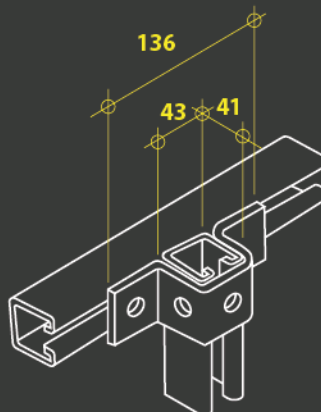
P4000

PRE-GALVANIZED / HOT DIPPED GALVANIZED

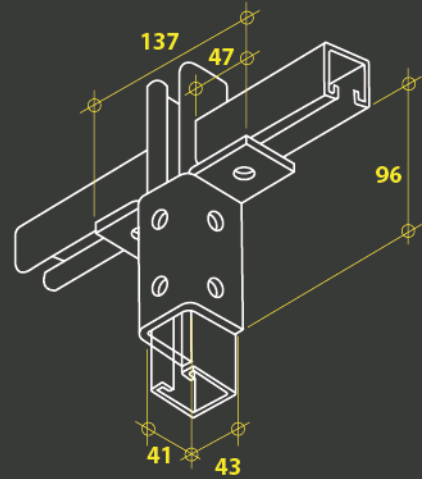
“U” SHAPED FITTINGS



1377



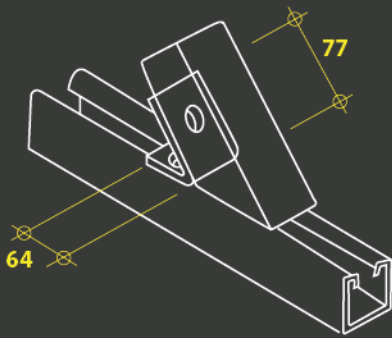
1047



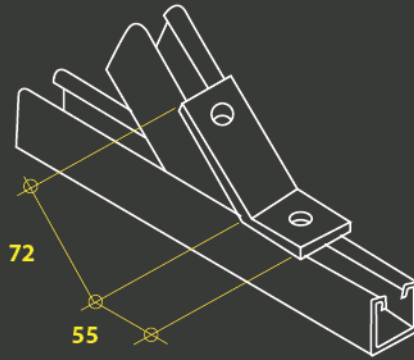
2346

HOT DIPPED GALVANIZED

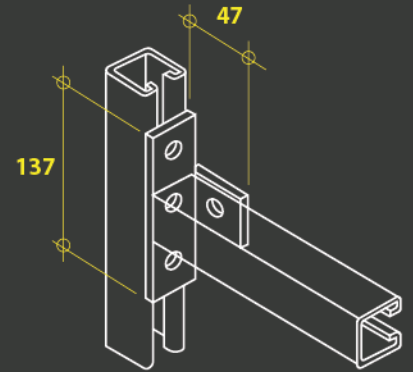
ANGULAR FITTINGS



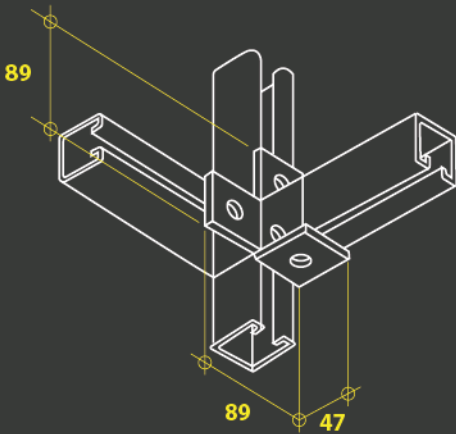
1186-45°



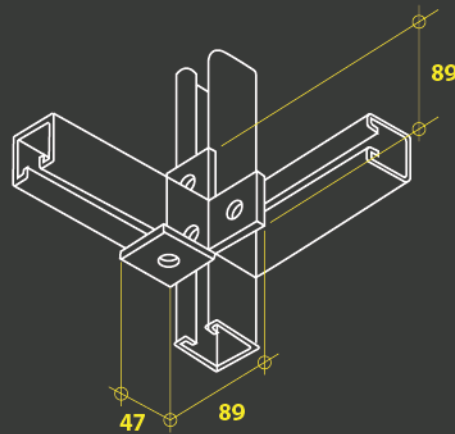
1546-45°



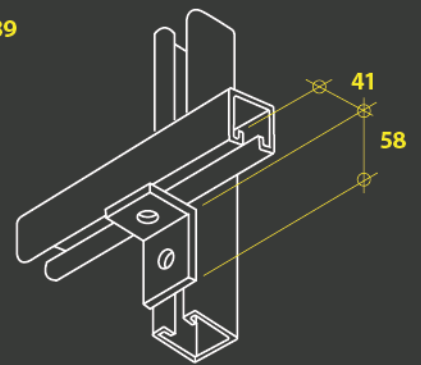
1033



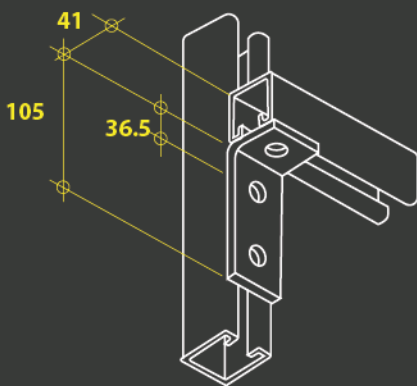
1034



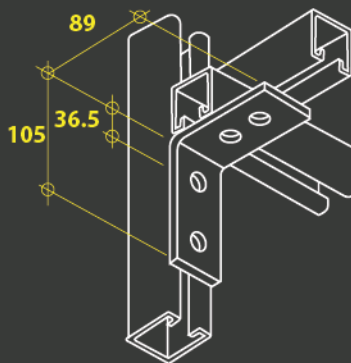
1035



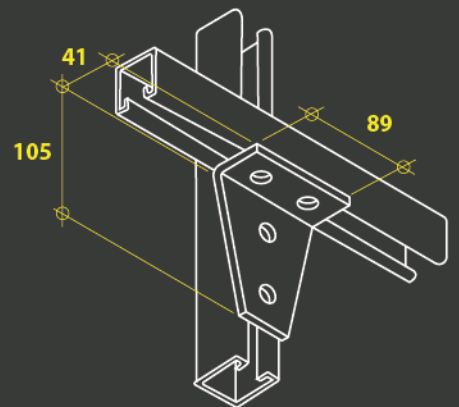
1068



1326



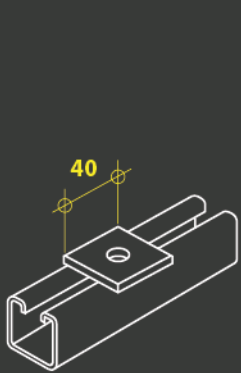
1325



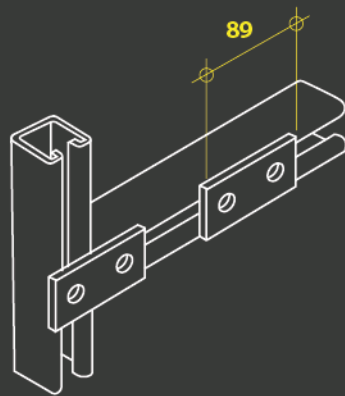
1359

HOT DIPPED GALVANIZED

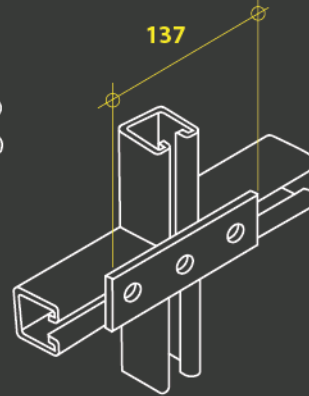
FLAT PLATE FITTINGS



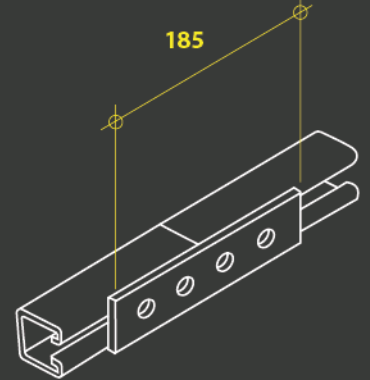
1062 & 1063



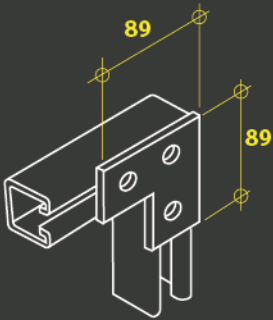
1065



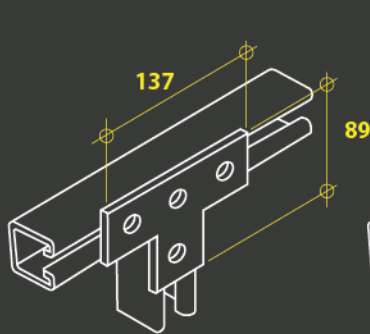
1066



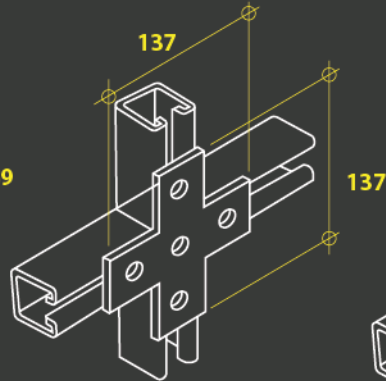
1067



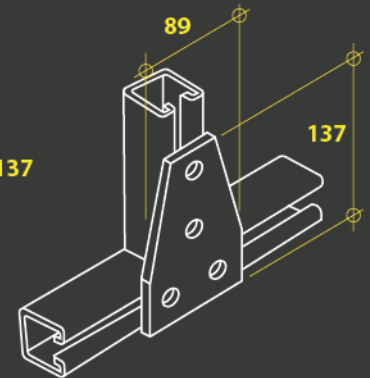
1036



1031



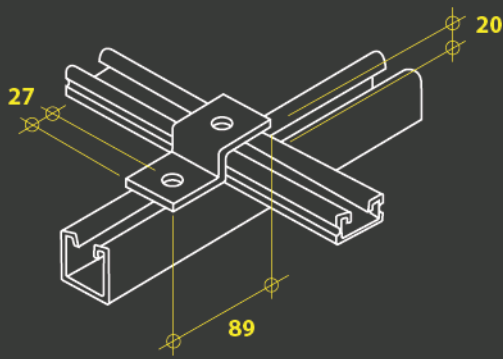
1028



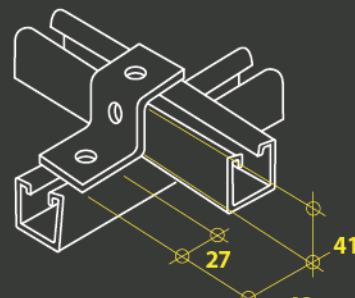
1358

HOT DIPPED GALVANIZED

"Z" SHAPED FITTINGS



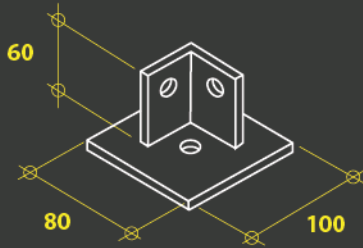
4045



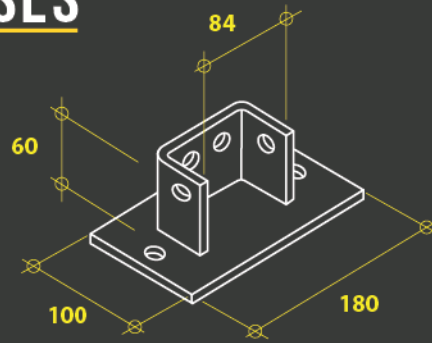
1045

HOT DIPPED GALVANIZED

POST BASES



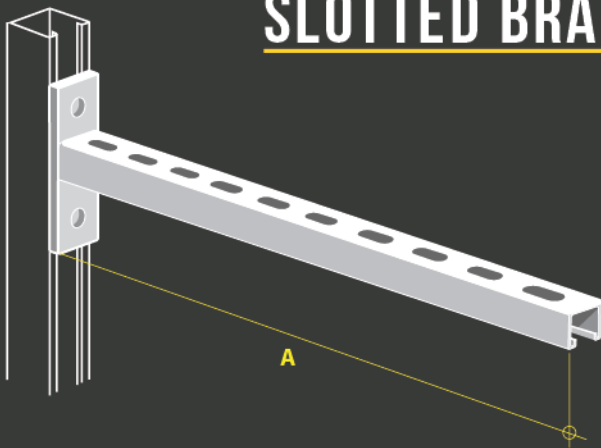
2072/S1



2073/A

HOT DIPPED GALVANIZED

SLOTTED BRACKETS



HOT DIPPED GALVANIZED

REF NO	A
SA 1000	150 MM
SA 2000	250 MM
SA 3000	350 MM
SA 4000	450 MM
SA 5000	550 MM
SA 6000	650 MM

FASTENERS



HEX SET BOLT



FLAT WASHER



SPRING WASHER



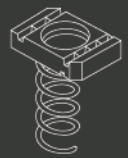
FENDER WASHER



HEX NUT



RAWL BOLT



SPRING NUT

STRUT-PRO

Solar mounting products with no limits.



Inland Application: More than 20km from the Coast, pre-galvanized materials can be used.
Coastal Application: Up to 20km from the sea, hot dipped galvanized materials to be used.

Quick to assemble. Standard structures suitable for all size panels. Compact and easy for transport. Custom made solutions based on site specifics. Flexible design to accommodate various options. Engineered to be structurally compliant.